



**U**  
**UnicornHygienics**  
Hygiene Products Manufacturer

**Product Portfolio**





# Contents

## Air Fresheners

- Microair
  - Puress
- 

## Cleaners & Deodorisers

- Sanair
  - Puresan
  - OdourClean
- 

## Fragrances

- Fragrances
- 

## Urinal Mats

- Urimat

## Disposal

- Nappy Bin
  - Sanibin
  - Sanitary Bag Holders & Paper Bags
  - Sackholder
  - Modular Bin
- 

## Vending

- Multivend
- Nappyvend
- Autovend
- Minivend

## Vending Consumables

- Consumables
- 

## Pursan

- Pursan 70% Alcohol Hand Cleanser
- Pursan Stands and Dispensers
- Pursan Multi Surface Cleaner
- Pursan Luxury Hand Wash

# Washroom Products Manufacturer

**Unicorn Hygienics is a Northern Irish manufacturer of Hygiene Products. Our range includes air fresheners, urinal sanitisers, urinal mats, sanitary and nappy bins, vending machines, hand soap, alcohol hand cleanser and a range of dispensers and stands for these.**

With more than 30 years of experience in the industry, Unicorn Hygienics' entire product range is manufactured in-house to ISO standards, allowing us to take control over rigorous quality assurance procedures as well as supply leading products in a time-effective manner.

The company's objective is to work with clients to make their lives simpler by providing not only a wide and reliable range of products, but ones that are easily installed and serviced.



Quick Deliveries



Tailor-Made



Multilingual Team



Global Reach



Trustworthy Partnership





Washroom Range

# Air Fresheners



# Washroom Range

# Microair



Microair is a durable washroom air freshening system that employs advanced technology to continually deliver lasting fragrance to your chosen area.

The compact Microair is fully automated and programmable, meaning customers can tailor the operating hours to suit their needs and deliver fragrances at maximum efficiency. The Microair can be programmed to dispense a wide range of specially formulated fragrances designed to quickly and effectively neutralise any unwanted odours.

## Finishes:



White



Black



Chrome

## Features:

- A choice of 30, 45, 60 or 90 day service intervals
- Fully programmable to optimise usage during working hours
- Customisable with company logo
- Wide range of fragrances available
- Built in spirit level to ensure an accurate installation
- Wires hidden to stop tampering
- Keyed or un-keyed lock
- Default settings and custom programming
- Countdown to next spray

**1 Year  
Warranty**

**Works With  
100ml  
Refills**

# Washroom Range

# Puress



A durable and robust air freshening system, the Puress dispenser utilises advanced technology to consistently deliver a concentrated fragrance of your choice.

Puress Air Freshener is an efficient solution in large spaces and continuously provides long lasting fragrances.

This fully automatic and programmable air freshener helps eliminate bad odours providing a pleasant and cleaner washroom environment.

## Features:

- A choice of 30, 45, 60 or 90 day service intervals
- Fully programmable to optimise usage during working hours
- Customisable with company logo
- Wide range of fragrances available
- Built in spirit level to ensure an accurate installation
- Wires hidden to stop tampering
- Keyed or un-keyed lock
- Default settings and custom programming
- Countdown to next spray

## Finishes:



White



Black



Chrome

**1 Year  
Warranty**

**Works With  
265ml  
Refills**





## Washroom Range

# Cleaners & Deodorisers





# Washroom Range

# Sanair



Sanair Air Freshener and Cleaner & Deodoriser is a revolutionary 2 in 1 dispenser aimed at consistently keeping urinals/WC clean as well as delivering fragrance into the air.

The Sanair is designed to provide a continuous flow of fluid into the urinal/WC, preventing the formation of bacteria whilst releasing a fresh fragrance to counteract any airborne malodours.

Designed with a convection chamber, the Sanair provides a continuous fragrance in the air throughout your washroom area.

The Sanair helps reduce limescale build-up in toilets and urinals, minimising cleaning costs and improving general hygiene.

## Features:

- Non aerosol air freshener system
- Open system to allow air flow
- Programmable for 30 or 60 days
- Wide range of fragrances available
- Bio refills available
- Customisable with company logo

## Finishes:



White



Black



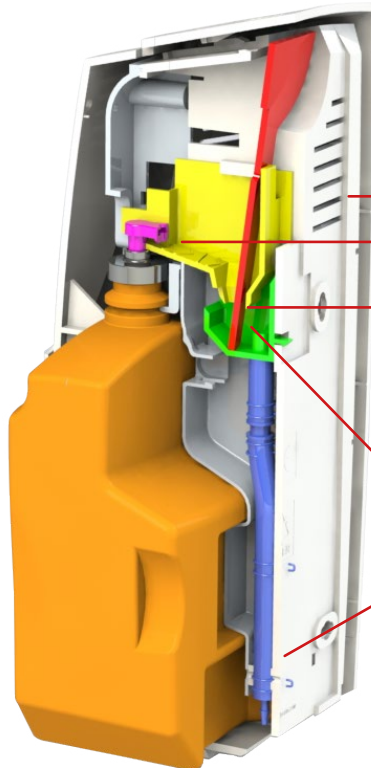
Chrome

1 Year  
Warranty

Works With  
610ml  
Refills

# Washroom Range

# Sanair



## HOW IT WORKS

Specially formulated fluid dispenses from the bottle and flows down the chevron channel.

Some of the fluid is absorbed by the wick.

Air passes through the convection chamber and evaporates fluid from the wick material, providing a continuous fragrance in the air.

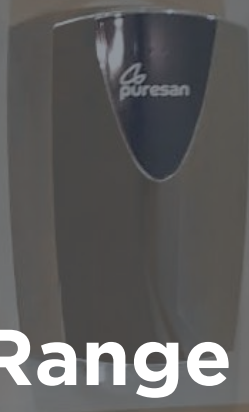
The remaining fluid collects in the well, when it reaches the spillway level, it flows down through the connected pipes and into the WC/Urinal.

Every flush produces a concentrated and fragrant foam, which reduces germs and surface stains and therefore eliminating the bad smell at source.

The formulations also help dissolve uric acid, which clog and block internal pipes and pipelines. Helping maintain and enhance pipe lifespan.

# Washroom Range

# Puresan



The Puresan provides a continuous dose of fluid into the urinal/WC to freshen your washroom areas by eliminating bad odours and reducing bacteria and germs.

The refill formulations are designed to combat the build-up of germs, which normally accumulate on washroom surfaces, including urinals and WCs.

The Puresan dosing system is easily programmable, giving you control over its service frequency.

Puresan dispenser offers a unique benefit in being able to be installed up to half a metre below a cistern. Ideal for those tricky installations where the cistern is close to the roof.

**1 Year  
Warranty**

**Works With  
310ml  
Refills**

## Features:

- Programmable for 30 or 60 days
- Wide range of fragrances available
- Bio refills available
- Customisable with company logo
- Can be installed up to 1/2 metre below a cistern
- Closed system

## Finishes:



White



Black



Chrome

# Washroom Range

# OdourClean



The OdourClean is a gravity drip fed system which dispenses fluid into the urinal/WC providing cleaning and deodorising properties, whilst reducing further bacteria formation. This system assists in eliminating offensive odours and reducing stains within washrooms.

The OdourClean dispenser does not contain any motors or batteries, making it a more cost effective solution.

## Features:

- Gravity operated
- Wide range of fragrances available
- Installation parts available
- Customisable with company logo

## Finishes:



White

Black

Chrome

1 Year  
Warranty

Refillable  
Bottles

# Washroom Range OdourClean



## HOW IT WORKS



The bottle is refilled as required, mixing a dose of a concentrated formulation and water. The ratio of the dilution will depend on the intensity required. The bottle is then placed inside the dispenser, depressing the needle in the cap allowing the fluid to flow into the reservoir up to the level of the bottle cap. The bottle is then placed inside the dispenser, depressing the needle in the cap allowing the fluid to flow into the reservoir up to the level of the bottle cap.

The wick will absorb the fluid, transferring it from the reservoir to the pipe. The pipe is either connected to the cistern or directly into the urinal/WC.

The flow is regulated by the J-pipe allowing the user to slow down or speed up the flow, adjusting the service intervals as needed.

The concentrate fluid is fragranced to offer a clean and fresh washroom and has a cleaner to reduce the growth of bacteria.





## Washroom Range

# Fragrances



# Washroom Range Fragrances



Unicorn Hygienics manufactures a wide range of tailored fragrances which have been developed using feedback from customers in over 30 countries. Having created a fragrance range that caters to all markets, Unicorn Hygienics can guarantee a scent that will be both effective and pleasant in any washroom across the globe.

## Fragrance Ranges:

- Classic collection
- Citrus collection
- Floral collection
- Seasonal collection



### Malodour Counteractant Technology

Our fragrances contain a malodour counteractant innovative technology. Rather than masking odours they neutralise the active malodour molecules and replaces them with the desired fragrance. These reduce at least 70% of the malodour perception.



### Fragrance Consistency

Most of our fragrances are available throughout our dispenser range, allowing you to experience the same fragrance in the air freshener and cleaner & deodoriser, avoiding a fragrance clash.



### Christmas Range

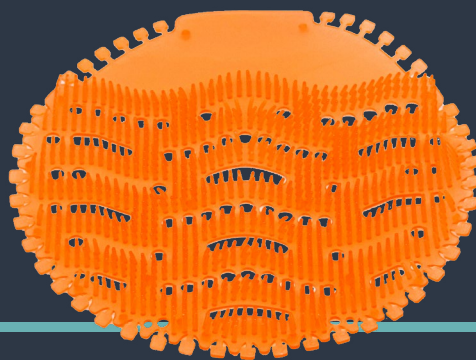
Every winter, we offer a range of Christmas fragrances to give your washrooms the festive feel!





**Washroom Range**

**Urinal Mats**



# Washroom Range

# Urimat

Urimat urinal screen releases active ingredients over 30 days to keep the urinal and washrooms smelling clean and fresh. It's design features protrusions on the top that diffuse the urine stream while releasing a pleasant fragrance.

It includes an easy reminder system which works by removing the tabs upon installation to set your replacement date.



## Features:

- Lasts 30 days
- Variety of fragrances available
- Easy reminder system
- Fits all urinals
- Odour control
- Anti - splashback



## Washroom Range

## Disposal





# Washroom Range

# Nappy Bin



Designed for the disposal of nappies and suitable for use in washrooms, public toilets and baby changing areas.

Designed to provide a safe and durable waste disposal solution, Nappy Bin is available in either grey or white.

Available in 50L or 70L capacity, the Nappy Bin is made from an extremely hard wearing polypropylene compound. Designed primarily for functionality, this bin is easily serviced and simple to use when disposing of its contents.

## Features:

- Available in 50L & 70L
- Available in white or grey
- Safe & durable solution
- Waste hidden using a discretion flap
- Can be customised with company logo
- Lid secures firmly in place, avoiding it being opened accidentally

## Finishes:



Grey

White

## Nappy Bin Trolley Available



# Washroom Range

# Sanibin



The Sanibin has a slim, compact design which enables it to be placed in the most confined toilet/washroom areas. It incorporates a lateral opening system which increases the usable capacity, whilst reducing the likelihood of waste blockage internally.

With an in-built discretion flap, your customers can also contain both the contents of the bin and any unwanted odours that may occur – leaving their washroom area clean and fresh.

## Features:

- Narrow design fits into most washrooms
- Pedal operated
- Safety lid mechanism that prevents the lid from coming off in the event of falling over
- Can be customised with screen-printed logo
- Carrying handle which allows 4 bins to be carried at one time

## Finishes:



Grey

White

Black

# Washroom Range

## Sanitary Bag Holder & Paper Bags



Perfect for communal washroom areas, hygiene bags are made available to place used sanitary items inside before disposing them into an appropriate bin.

Acting as a discreet and convenient sanitary disposal method, the dispenser is simple to install in any washroom environment.

### Features:

- Individual paper bags
- White ABS plastic holder
- 2000 bags per pack
- Easy to dispense



# Washroom Range

# Sackholder



The Sackholder model is an exceptionally robust, practical waste disposal unit, available in both 17 and 92 litre capacities.

This bin employs a foot pedal opening mechanism to help reduce the spread of germs.

Manufactured from zintec steel, the Sackholder undergoes a post production multistage degreasing and washing process, providing superior durability and ease of maintenance throughout its functional lifespan.

Sackholder bins are available with a range of coloured lids to accommodate various waste streams and disposal purposes.

## Standard Features:

- 1mm steel thickness
- Pedal operated
- Base plate support
- Choice of coloured lids

## Optional Features:

- Vinyl personalisation
- Castor kit

## Finishes:

Standard white with coloured lids available upon request



# Washroom Range Modular Bin



The Modular Bin is a removable bodied, fire-resistant disposal unit available in both 17 and 64 litre capacities.

Designed with ease of usage and functionality in mind, customers can quickly remove the main section to easily clean the bin and empty its contents. The bin's base plate section also reduces the chance of leakage – minimising the risk of slippage and injury.

Manufactured using Zintec Steel, the Modular Bin undergoes a multistage degreasing and washing process, giving it superior durability and ease of maintenance throughout its functional lifespan.

## Standard Features:

- 1mm steel thickness
- Pedal operated
- Base plate support
- Choice of colours

## Optional Features:

- Vinyl personalisation
- Castor kit
- Hands free version

## Finishes:

Standard white. Other colours available upon request



## Vending Range

# Vending Machines



# Vending Machines

# Multivend



The Multivend is fully automated, with a digital display indicating price, stock availability and battery life level.

A wall-mounted vending machine, the Multivend is fully programmable and able to dispense a wide range of leading brand consumables. Ideal to be positioned in areas like shopping centres, airports and public transport stations to cater for a wide range of needs.

## Features:

- Up to 9 product choices
- Can be configured to vend nappies
- Out of stock indicator
- Configurable for different currencies
- Battery powered – no mains wiring
- Can be customised to incorporate company logo & instructions
- Accepts up to 5 different coin denominations
- Does not provide change

## Finishes:



Steel White



Steel Silver



White ABS



Nappy Machine  
Available



1 Year  
Warranty

# Vending Machines

# Autovend

The discreet design of the Autovend makes it the perfect choice for any public bathroom/washroom area. The Autovend is intelligently designed, allowing different configuration options including product size and coin type adjustments.

Manufactured with an anti-theft locking system and robust steel casing, the Autovend range is designed to impede vandalism and theft.

Unicorn Hygienics is licenced to supply vending machines with the leading branded products which customers know and trust.

## Features:

- Slim design
- 2 product choices per machine
- Configurable for different currencies
- Battery powered – no mains wiring
- Can be customised to incorporate company logo
- Refunds money when no stock is present

## Finishes:



White



Silver



Chrome



Black



Stainless Steel

1 Year  
Warranty

# Vending Machines

# Minivend



The Minivend has been specifically designed to dispense free of charge sanitary towels and tampons, being the perfect solution for the End Period Poverty initiative.

## Features:

- Slim design
- 2 product choices per machine
- Freevend operation
- Manually operated - no battery required
- Can be customised to incorporate company logo



**1 Year  
Warranty**





## Vending Range

# Vending Consumables





# Vending Range

# Vending Consumables

Unicorn Hygienics offers a full selection of branded vending consumables that can be used to stock our vending machine range.

Hygienically packed in our state of the art cleanroom facility, Unicorn Hygienics is fully licensed to supply vending consumables to our customers - eliminating risk of product tampering during the supply process.

The company's large selection of consumables have been selected based on customer feedback and consumer purchasing behaviour to ensure the best product range is offered.

\* Authorised by Medicines and Healthcare products regulatory agency.

## Features:

- Feminine protection
- Personal care
- Medical
- Condoms
- Confectionery
- Baby Care



**Pursan**



**SKYN**



**NIVEA**



*always*



**kotex**





**Pursan**



# Pursan 70% Alcohol Hand Cleanser

- Manufactured in Northern Ireland to ISO 9001 & ISO 14001 standards.
- Available in: 5L, 2.5L, 1L, 500ml, 100ml or 60ml bottles. (5L, 2.5L and 1L bottles are sold as refills)
- 60ml and 100ml bottles come with an atomiser which helps provide excellent dispersal coverage across hands, and they are easily carried.
- 500ml bottles comes with an atomiser or trigger spray which helps provide excellent dispersal coverage across hands and surfaces.
- Compatible stands are also available to safely display Pursan® for use at entrances and other locations in your premises such as beside printers, coffee areas, etc.

Our Pursan® 70% Alcohol Hand Cleanser only uses high grade alcohol. This leaves hands feeling fresh and clean with no residue or unpleasant smell, whilst helping to keep them moisturised. Pursan® is ideal for use in any environment where conventional hand washing is not available or simply in addition to your usual hand washing routine.

Pursan also offers economic advantages thanks to its liquid spray consistency. We conducted a comparative study between Pursan and its gel counterparts/ equivalents and found that Pursan lasts at least twice as long as gel products due to the metered dose of the spray.





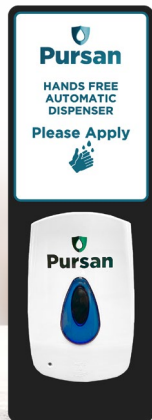
# Pursan Stands & Dispensers

A range of stands is available for our Pursan 70% Alcohol Hand Cleanser. Our free standing and pedal operated stands are ideal for entrances to buildings while our table top option is perfect for use in office or school environments and it can also be wall mounted. Our hands free dispenser encourages people not to touch the dispenser and be able to cleanse hands in a very safe manner.

## Pedal Operated Stand



## Automatic Wall Mounted Dispenser



1 Year  
Warranty

## Table Top / Wall Mounted



## Automatic Dispenser Stand



## Free Standing Station





# Pursan Multi Surface Cleaner

Pursan® Multi Surface Cleaner has been tested in accordance to the certifications **EN1276**, **EN13697** and **EN14476**, and it is effective against both, bacteria and viruses including Coronavirus

- Available bottle sizes  
**5L / 750ml**
- Ideal for home use or in the workplace.
- Excellent bactericidal and virucidal activity.
- Pursan® Multi Surface Cleaner is ideal for use on a wide range of surfaces.
- Produced in Northern Ireland to **ISO 9001 & ISO 14001** standards





# Pursan

## Luxury Hand Wash

Cleanse and refresh with our Pursan® Luxury Aqua Pura Hand Wash. Available in liquid and foaming application. This hint of ocean spray has been expertly formulated to cleanse hands whilst leaving them feeling soft and replenished.

- Available bottle sizes  
**5L / 500ml**
- Suitable for everyday use on hands
- Clean & fresh feeling hands
- Moisturising properties
- Cares for skin
- Fragrance:  
Aqua Pura, a hint of ocean spray
- Produced in Northern Ireland to  
**ISO 9001 & ISO 14001** standards



# UnicornHygienics

## Unicorn Hygienics Limited

Riverbank, 1 The Green, Tullynacross Road, Lisburn, BT27 5SR

**UK Tel:** +44 (0) 28 92640827

**Email:** [info@unicorn-hygienics.com](mailto:info@unicorn-hygienics.com)

[www.unicorn-hygienics.com](http://www.unicorn-hygienics.com)

### Stay Connected



Quick Deliveries



Tailor-Made



Multilingual Team



Global Reach



Trustworthy Partnership